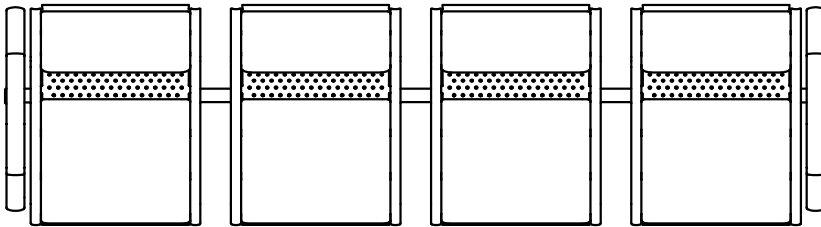
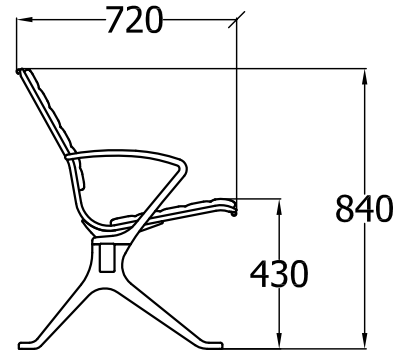
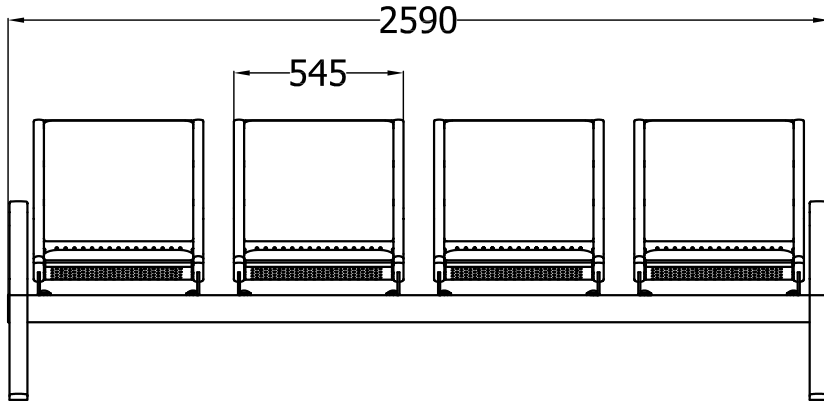


TECHNICAL DRAWINGS

4-SEATER, 2 ARMS



3-SEATER, 2 ARMS

